



The world's favourite lock since 1843

**RADISSON  
INDUSTRIES**

INNOVATIVE COMPONENTS  
www.radissonindustries.com

# Cavity Fit Restrictor

Automatic resetting

## The ultimate solution to resident safety



- Tested to BS 6375-2 to load bearing capacity of safety devices
- Austenitic 304 stainless steel for enhanced corrosion resistance - BS EN 10088-2:2005 Grade 1.4301
- Compatible with all Yale standard duty hinges including Defender Egress Easy Clean



**RESTRICTOR**  
Mechanism limits maximum opening



**CAVITY LOCATOR PIN**  
For each standard cavity height



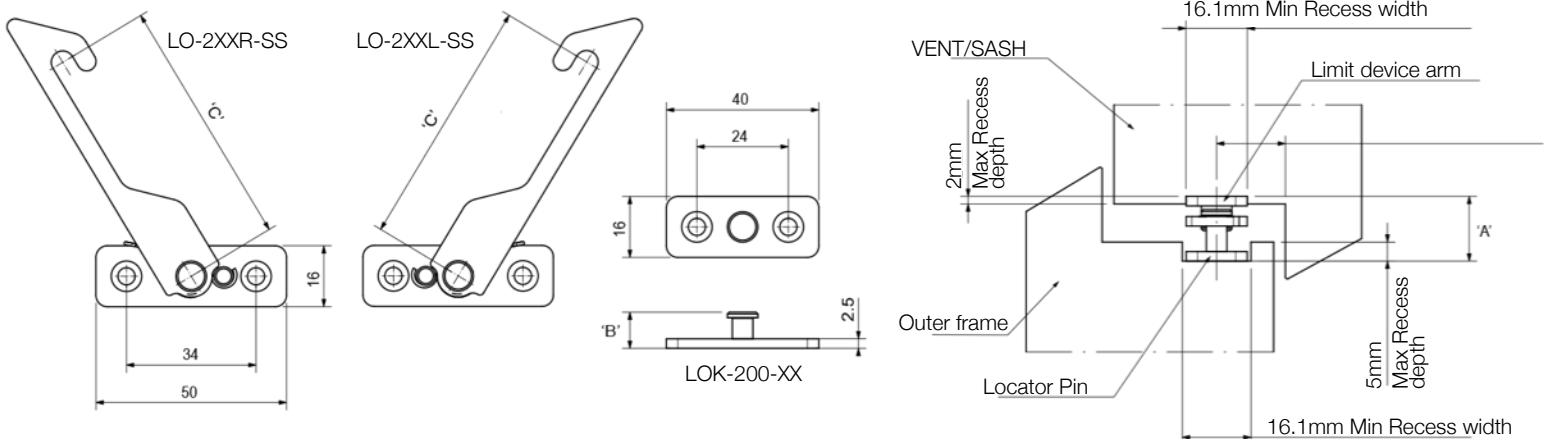
The world's favourite lock since 1843

**RADISSON  
INDUSTRIES**

INNOVATIVE COMPONENTS  
www.radissonindustries.com

# Product Specifications

## LO-200 | Limit device



Part numbers	Description	Dimension "A"	Dimension "B"	Dimension "C"	Box Quantity
LO-200R-SS	304 Stainless Steel 65mm Cavity fit restrictor right hand	-	-	65.5mm	25
LO-200L-SS	304 Stainless Steel 65mm Cavity fit restrictor left hand	-	-	65.5mm	25
LO-210R-SS	304 Stainless Steel 115mm Cavity fit restrictor right hand	-	-	115.5mm	25
LO-210L-SS	304 Stainless Steel 115mm Cavity fit restrictor left hand	-	-	115.5mm	25
LO-220R-SS	304 Stainless Steel 165mm Cavity fit restrictor right hand	-	-	165.5mm	25
LO-220L-SS	304 Stainless Steel 165mm Cavity fit restrictor left hand	-	-	165.5mm	25
LOK-200-09	304 Stainless Steel 9.5mm Cavity fit restrictor keeper	13-14mm	9.5mm	-	25
LOK-200-13	304 Stainless Steel 13.5mm Cavity fit restrictor keeper	16-17mm	13.5mm	-	25
LOK-200-14	304 Stainless Steel 14.5mm Cavity fit restrictor keeper	17-18mm	14.5mm	-	25
LOK-200-11	304 Stainless Steel 11.5mm Cavity fit restrictor keeper	13-14mm	11.5mm	-	25

INDUSTRIES  
**RADISSON**

136 Rue Léon-Vachon  
Saint-Lambert-de-Lauzon, Québec  
G0S-2W0, Canada

1-866-889-90